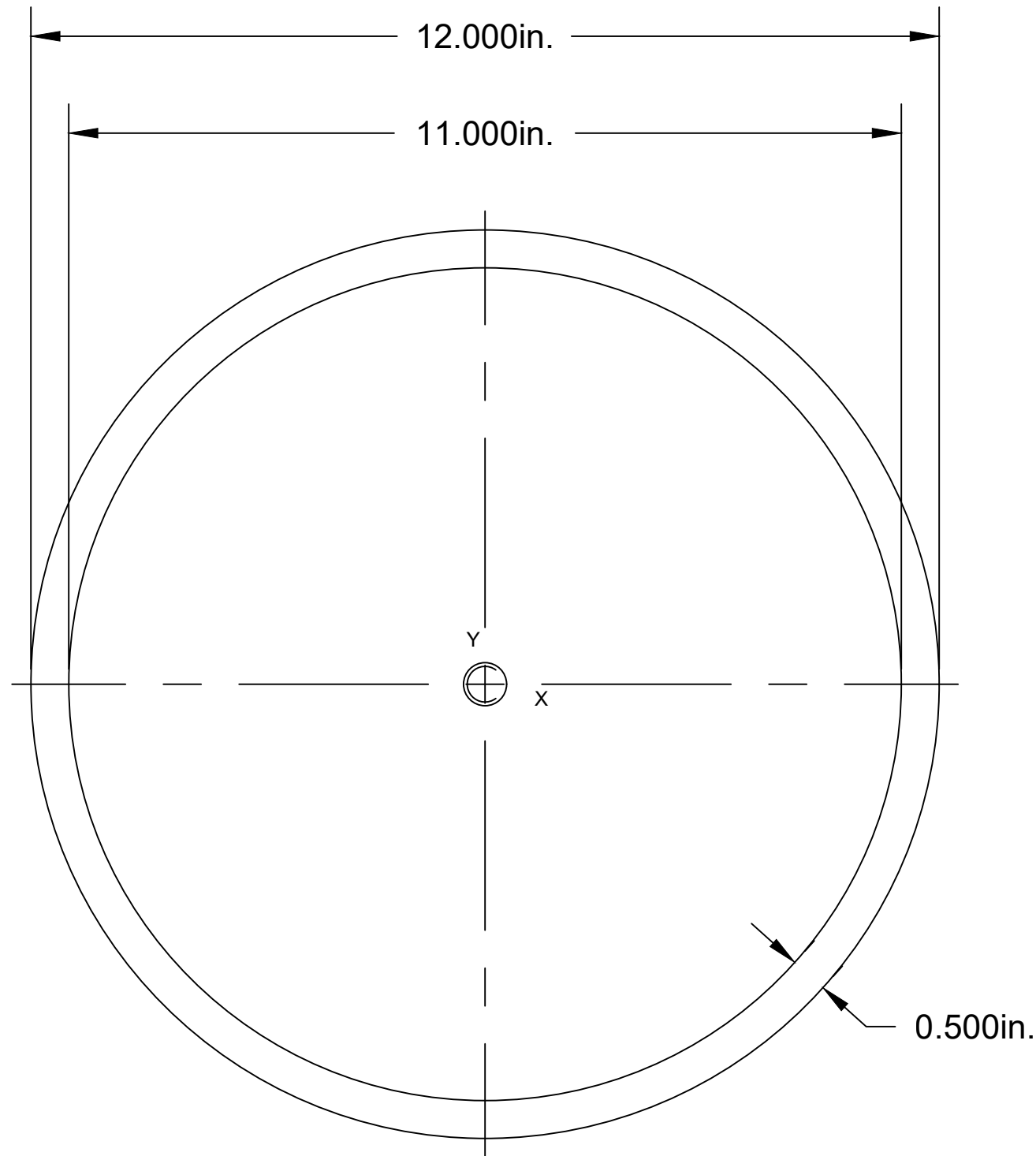


FIBERGLASS REINFORCED COMPOSITE PILE

SUPERPILE®

Ø12 x 1/2" (wall) Round Tube
Part No. - TU450

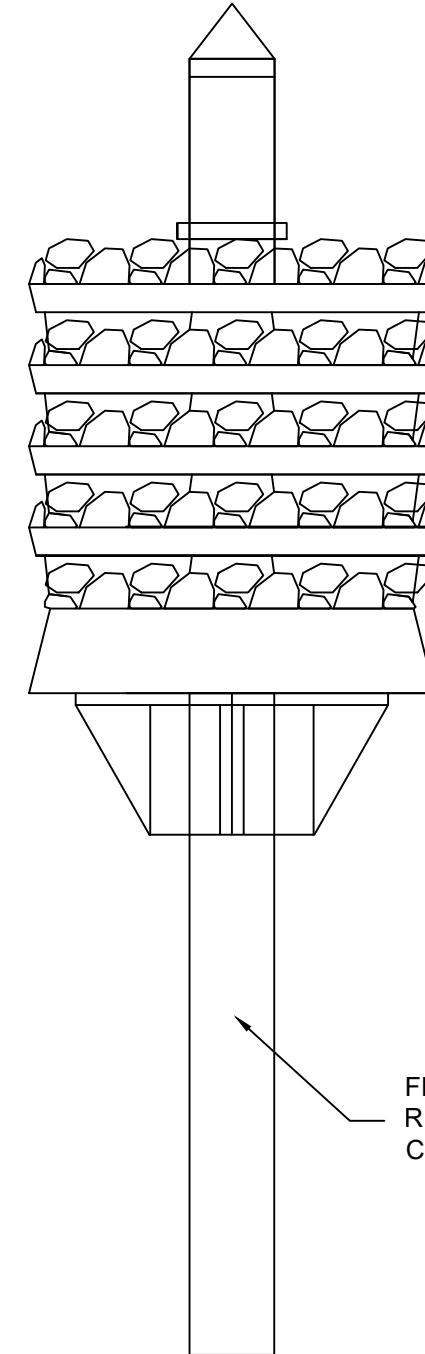
Imperial Units		
Cross Section Properties		
Area	18.064	in ²
I _x	299.188	in ⁴
I _y	299.188	in ⁴
I _{xy}	0	in ⁴
S _x	49.865	in ³
S _y	49.865	in ³
r _x	4.070	in
r _y	4.070	in



Note: Dimensional tolerances per ASTM D3917

PILES SHALL HAVE A MINIMUM FLEXURAL STRENGTH OF 76,000 PSI, MINIMUM AXIAL COMPRESSION STRENGTH OF 76,000 PSI, MODULUS OF ELASTICITY OF 5.2E6 PSI, AND ALLOWABLE MOMENT OF 159KIP-FT.

ATLANTIC REEFMAKER ECOSYSTEM



PILE LENGTHS AND EMBEDMENT DEPTHS WILL BE DETERMINED BY THE ENGINEER BASED ON GEOTECHNICAL ASSESSMENT.



ATLANTIC REEFMAKER
718 LIVE OAK DRIVE
SUNSET BEACH, NC 28468
(919) 632-7509

SHOP DRAWING

DES	DRW	CHK
RAB	MEC	RAB

FIBERGLASS REINFORCED COMPOSITE PILE

NO SCALE

DATE: 12/20/2020

PROJECT NO.
SCO ID# 20-21989-01A

SHEET 5 OF 5

ARM-05

CREATIVE PULTRUSIONS INC.
214 Industrial Lane
Alum Bank, Pennsylvania 15521
www.creativepultrusions.com
(814) 839-4186 (888) CPI-PULL