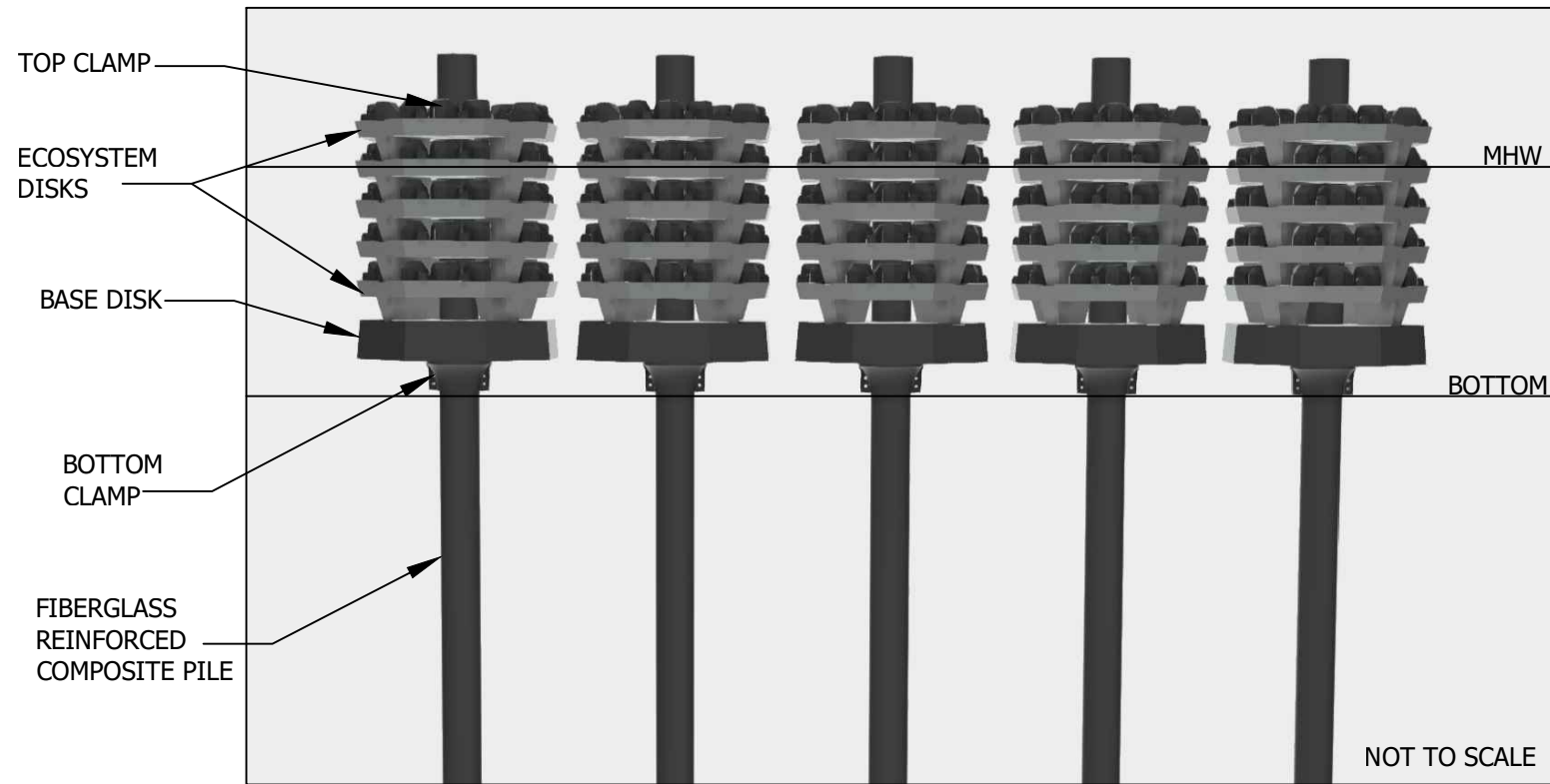


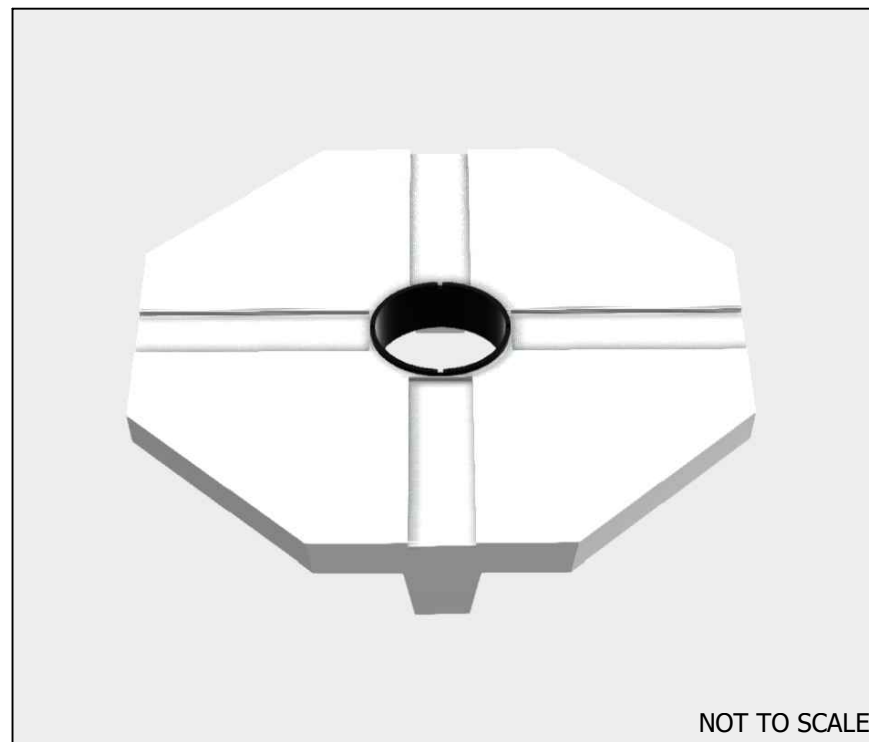
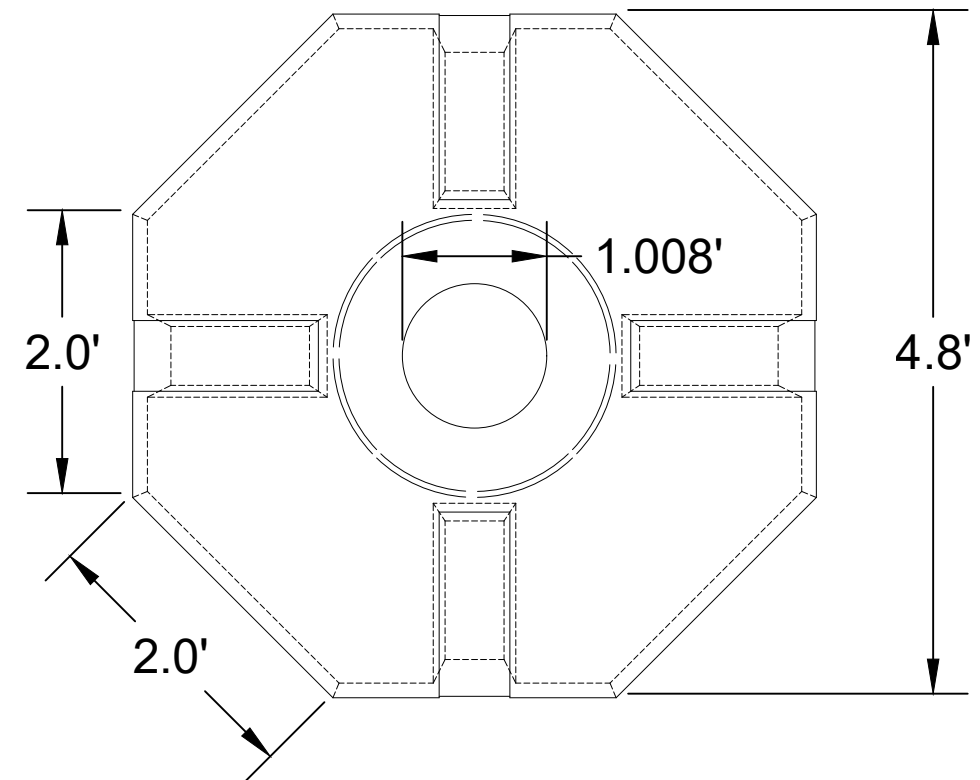
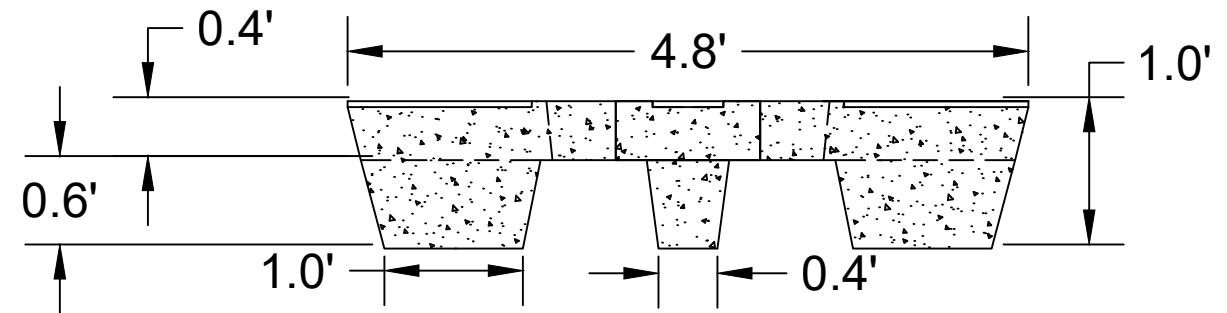


ATLANTIC REEFMAKER
718 LIVE OAK DRIVE
SUNSET BEACH, NC 28468
(919) 632-7509

ATLANTIC REEFMAKER ECOSYSTEM



ECOSYSTEM DISK



ECOSYSTEM DISK -RENDERING

DISK CONCRETE REQUIRES AN APPROVED NCDOT MARINE PRECAST CONCRETE MIX DESIGN WITH A MINIMUM OF 4,000PSI COMPRESSIVE STRENGTH IN ACCORDANCE WITH NCDOT STANDARD SPECIFICATIONS SECTION 1000.

SHOP DRAWING

DES RAB	DRW MEC	CHK RAB
------------	------------	------------

ATLANTIC REEFMAKER ECOSYSTEM DISKS

SCALE 1" = 4"

DATE: 12/20/2020

PROJECT NO.

SHEET 2 OF 5

ARM-002